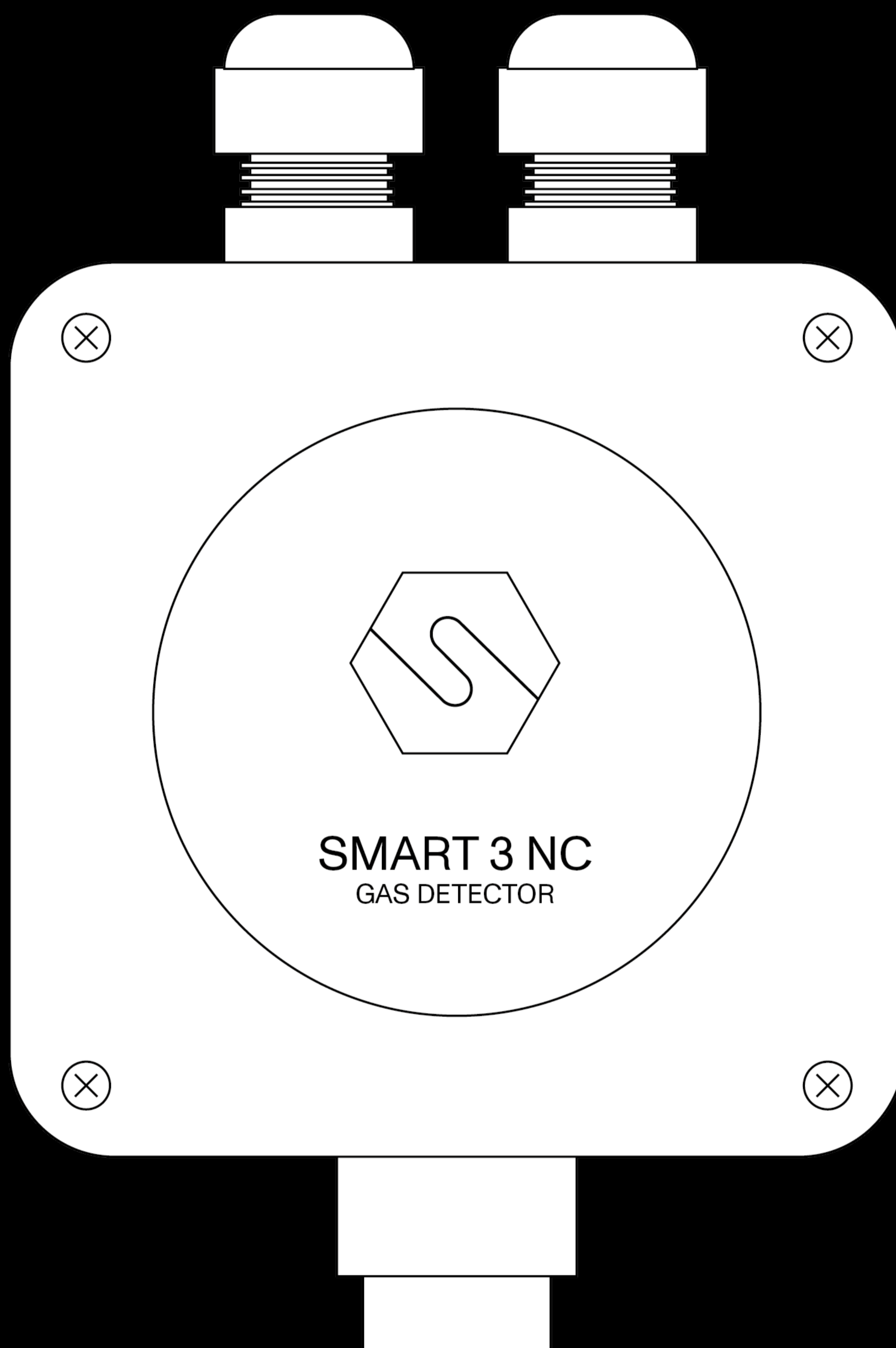
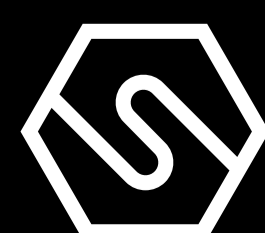


# SMART 3 NC

With catalytic sensor



Datasheet





SMART3 NC gas detector is designed to be installed in non-classified area and car parks. The sensing element is placed in an aluminum enclosure. The pellistor sensors employed for the flammable gas detection show an excellent output linearity up to 100% LEL and fast time of response. The gas detector has a 12-24 Vdc power supply and a standard 4-20 mA 3-wires output. Optionally, the SMART3 NC can be equipped with serial RS485 communication and a 1 or 3 relays board. The plastic enclosure has dimensions 106 x 160 x 54 mm, on the upper side there're two M20 cable glands.

## Sensor

|                           |  |
|---------------------------|--|
| Application               | Car parks, laboratories and non-classified areas |
| Sensing element           | Catalytic  |
| Predicted sensor lifetime | 4 / 5 years                                      |
| Gas detected              | Methane, LPG, Petrol vapours                     |
| Fullscale                 | 0 - 100% LFL                                     |

## Electrical data

|  |  |
|--|--|
| Power supply                                   | 12-24 Vdc  |
| Output   | Analogue 4-20 mA output; 1 or 3 relay board (optional); serial RS485 output (optional) |
| Absorption                                     | 33 mA  |
| Relays contact ratings (on the optional board) | 1.0 A at 30 Vdc  |
| Optical indications                            | -  |
| Acoustic indications                           | -  |
| Hall effect sensor                             | -  |

## Environmental conditions

|                       |             |
|-----------------------|-------------|
| Storage temperature   | -20 / +60°C |
| Operating temperature | -20 / +60°C |
| Operating humidity    | 0 / 90% RH  |

## Compliance

|     |  |
|-----|--|
| EMC | EN 61000-6-3:2007 + A1:2011; EN 50270:2015 |
|-----|--|



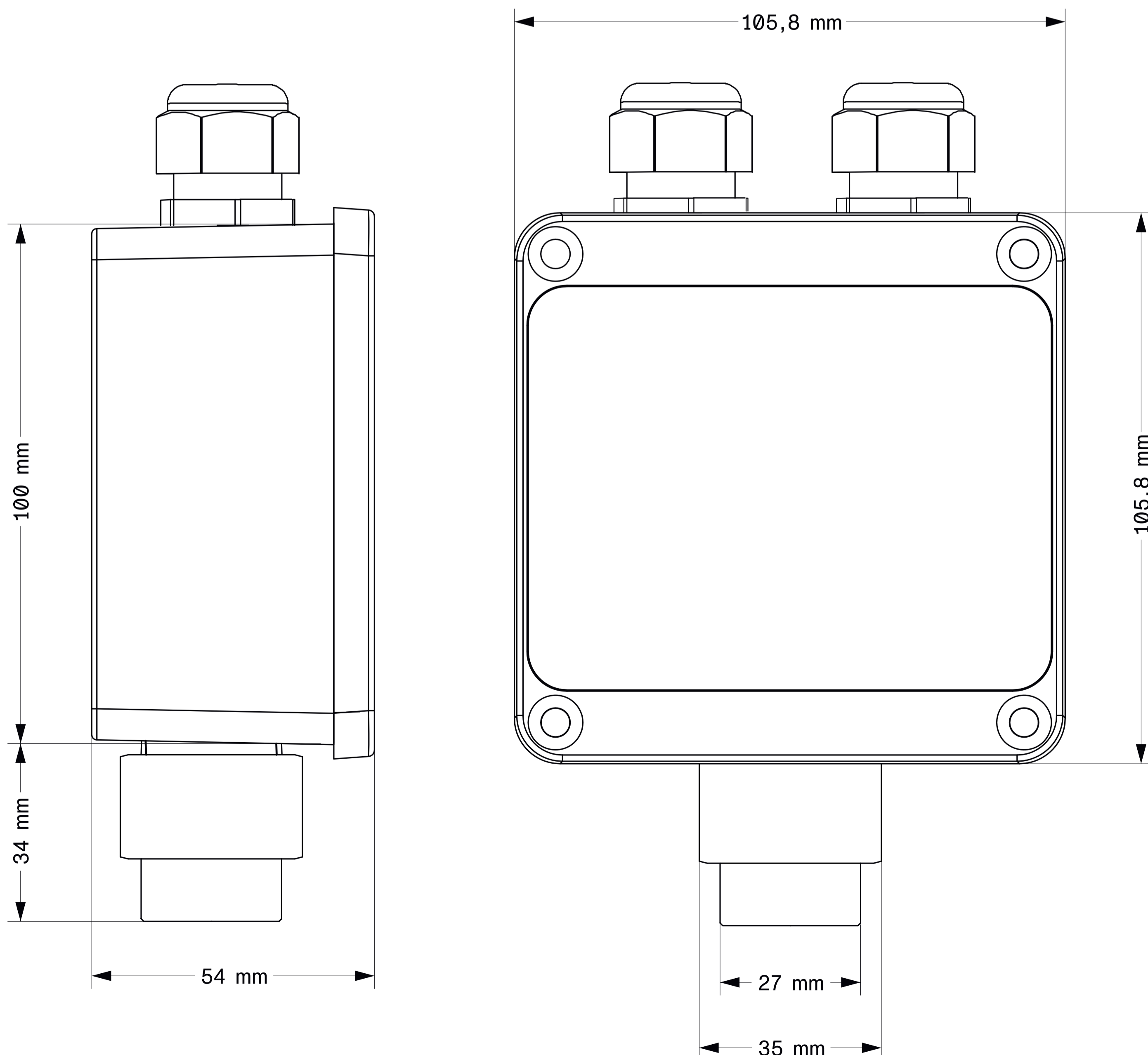
## External case

|               |   |
|---------------|---|
| Material      | Enclosure: Polycarbonate<br>Sensor head: Aluminum       |
| Dimensions    | Box: 100 x 100 x 52 mm<br>Cover: 105.8 x 105.8 x 7.8 mm |
| Weight        | 250 g   |
| Cable entries | 2 x M20   |
| IP grade      | IP55  |

## Product codes

|         |  |
|---------|--|
| S1455ME | Methane gas detector 0-100 %LFL        |
| S1455VB | Petrol vapours gas detector 0-100 %LFL |
| S1455GP | LPG gas detector 0-100 %LFL            |

## Mechanical drawings



## Contatti/Contacts

Viale della Repubblica, 48  
20007 Cornaredo (MI) – ITALY

+39 0293548155  
[sales@sensitron.it](mailto:sales@sensitron.it)  
[sensitron.it](http://sensitron.it)

Sensitron S.r.l.

